

ITEM	DESCRIPTION	QTY	MAT'L
1	MOTOR 100 HP (75KW), 1500 RPM	1	STD
2	GEAR REDUCER: LHX-11C, 38.35:1	1	STD
3	MOTOR PEDESTAL	1	STD
4	EXT SHAFT W/ HUBS (2)	1	STL
5	RIGID COUPLING	1	STL
6	STUB SHAFT	1	STL
7	TURBINE BLADES: AM	6	R/C STL
8	BELT GUARD (SEMI ENCLOSED)	1	STD
9	DRIVEN SHEAVE: 5V18.7" X 6-F	1	STD
10	DRIVER SHEAVE: 5VB X 6-E	1	STD
11	BELTS: 5VX950	6	STD

QTY. (2) UNITS REQD.
 TAG: 420-AG-001, 420-AG-002
 LEACH TANK AGITATORS

* MOTOR IS TECO-WESTINGHOUSE, 380V/3/50
 250MC Frame
 ** R/C IS RUBBER COATED STEEL, 3/16" (5MM)
 THICK WITH DOUBLE THICKNESS ON IMPELLER
 BLADE LEADING EDGES.

DIM A IS 183" (4,648) FOR 420-AG-001
 DIM A IS 165" (4,191) FOR 420-AG-002
 BAFFLE INFORMATION
 OVERALL HEIGHT TANK 1: 620(15748)
 OVERALL HEIGHT TANK 2: 602(15297)
 WIDTH: 47 (1206)
 OFF WALL CLEARANCE: 8 (201)
 OFF BOTTOM CLEARANCE: 16 (401)

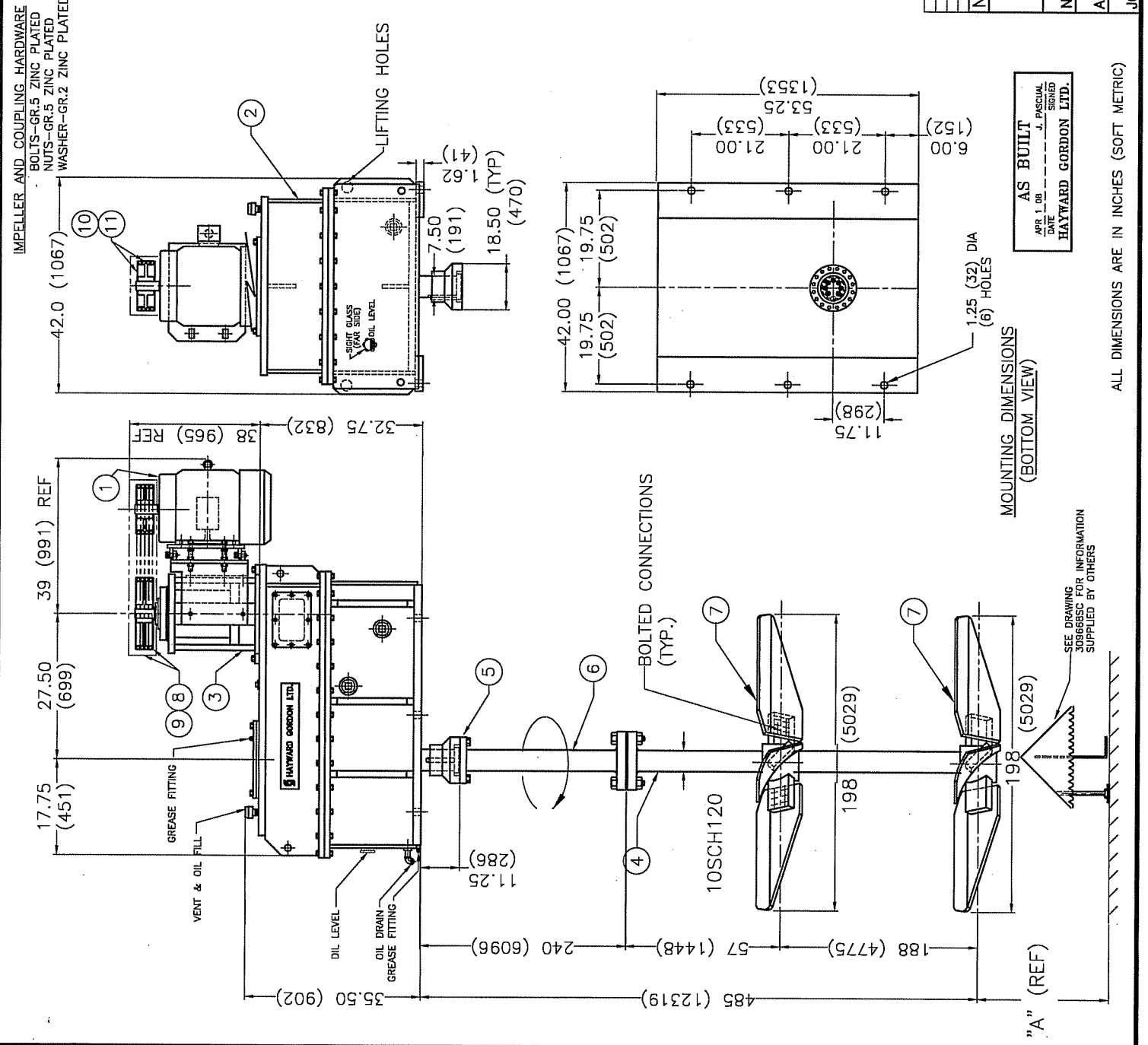
THE MIXER SUPPORT STRUCTURE IS TO BE
 DESIGNED SO THAT THE DYNAMIC ANGULAR
 DEFLECTION OF DRIVE IS LIMITED TO
 .25 DEGREE IN ANY DIRECTION.

MIXER SUPPORT DESIGN LOADS:
 STATIC WEIGHT . . . 19938 LBS (9043 KG)
 DYNAMIC TORQUE . . 76395 IN-LBS(880 KGM)
 BENDING MOMENT . . 833672 IN-LBS(9605 KGM)
 OPERATING SPEED . . 16.5(NOM) R.P.M.

4	APR 1 '08	JIP	AS BUILT ADDED
3	FEB 7 '08	JCC	ADDED INFORMATION ON HARDWARE, BAFFLE INFO
2	APR 1 '07	JCC	ADDED BAFFLE INFORMATION
1	SEP 12 '07	JCC	ADDED DIMENSION IN METRIC

5 HAYWARD GORDON LTD.
 TORONTO MONTREAL CALGARY VANCOUVER

SCALE: CUST. P.O. NO. 017439F5160
 MODEL: LHX-11C
 DATE: H.G. JOB NO. 309668
 AUG-10/07
 JCC DRN. 3096686
 DWG. NO. 3096686



B01-0001-05

ITEM	DESCRIPTION	QTY	MAT'L
1	MOTOR 100 HP (75KW), 1500 RPM	1	STD
2	GEAR REDUCER: LHX-11C, 38.35:1	1	STD
3	MOTOR PEDESTAL	1	STD
4	EXT SHAFT W/ HUBS (2)	1	STL
5	RIGID COUPLING	1	STL
6	STUB SHAFT	1	STL
7	TURBINE BLADES: AM	6	R/C STL
8	BELT GUARD (SEMI ENCLOSED)	1	STD
9	DRIVEN SHEAVE: 5V18.7 X 6-F	1	STD
10	DRIVER SHEAVE: 5V8.0 X 6-E	1	STD
11	BELTS: 5VX950	6	STD

QTY. (2) UNITS REQD.
 TAG: 420-AG-003, 420-AG-004
 LEACH TANK AGITATORS

* MOTOR IS TECO-WESTINGHOUSE, 380V/3/50
 250MC Frame
 ** R/C IS RUBBER COATED STEEL, 3/16" (5MM)
 THICK WITH DOUBLE THICKNESS ON IMPELLER
 BLADE LEADING EDGES.

DIM A IS 171" (4343) FOR 420-AG-003
 DIM A IS 154" (3912) FOR 420-AG-004

BAFFLE INFORMATION
 OVERALL HEIGHT TANK 3: 584 (14827)
 OVERALL HEIGHT TANK 4: 567 (14397)
 WIDTH: 47 (1206)
 OFF WALL CLEARANCE: 8 (201)
 OFF BOTTOM CLEARANCE: 16 (401)

THE MIXER SUPPORT STRUCTURE IS TO BE
 DESIGNED SO THAT THE DYNAMIC ANGULAR
 DEFLECTION OF DRIVE IS LIMITED TO
 .25 DEGREE IN ANY DIRECTION.

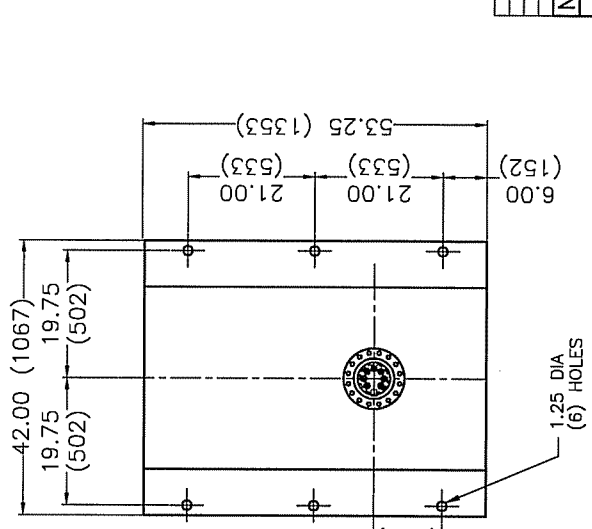
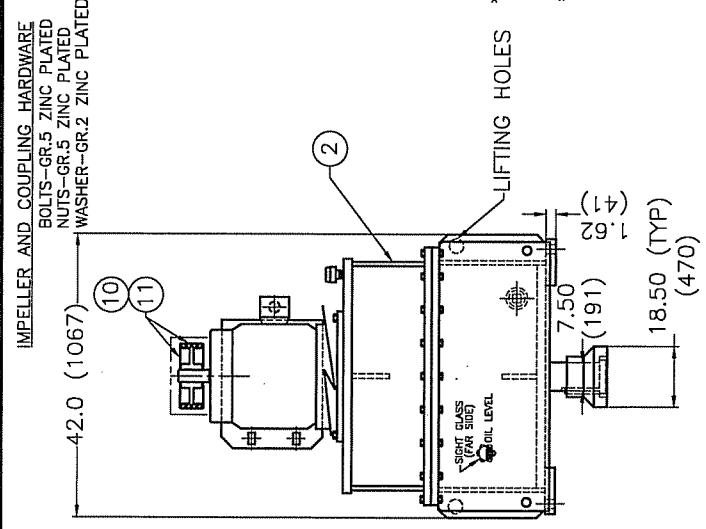
MIXER SUPPORT DESIGN LOADS:
 STATIC WEIGHT . . . 19938 LBS (9044 KG)
 DYNAMIC TORQUE . . 763939 IN-LBS (8802 KGM)
 BENDING MOMENT . . 833672 IN-LBS (9605 KGM)
 OPERATING SPEED . . 16.5(NOM) R.P.M.

4	APR 1 08	JIP	AS BUILT ADDRESS
3	FEB 7 09	JCC	ADDED IMPELLER HARDWARE INFO, BAFFLE INFO
2	SEP 17 07	JCC	ADDED IMPELLER HARDWARE INFO, BAFFLE INFO
1	SEP 17 07	JCC	ADDED IMPELLER HARDWARE INFO, BAFFLE INFO

5 HAYWARD GORDON LTD.
 TORONTO MONTREAL CALGARY VANCOUVER

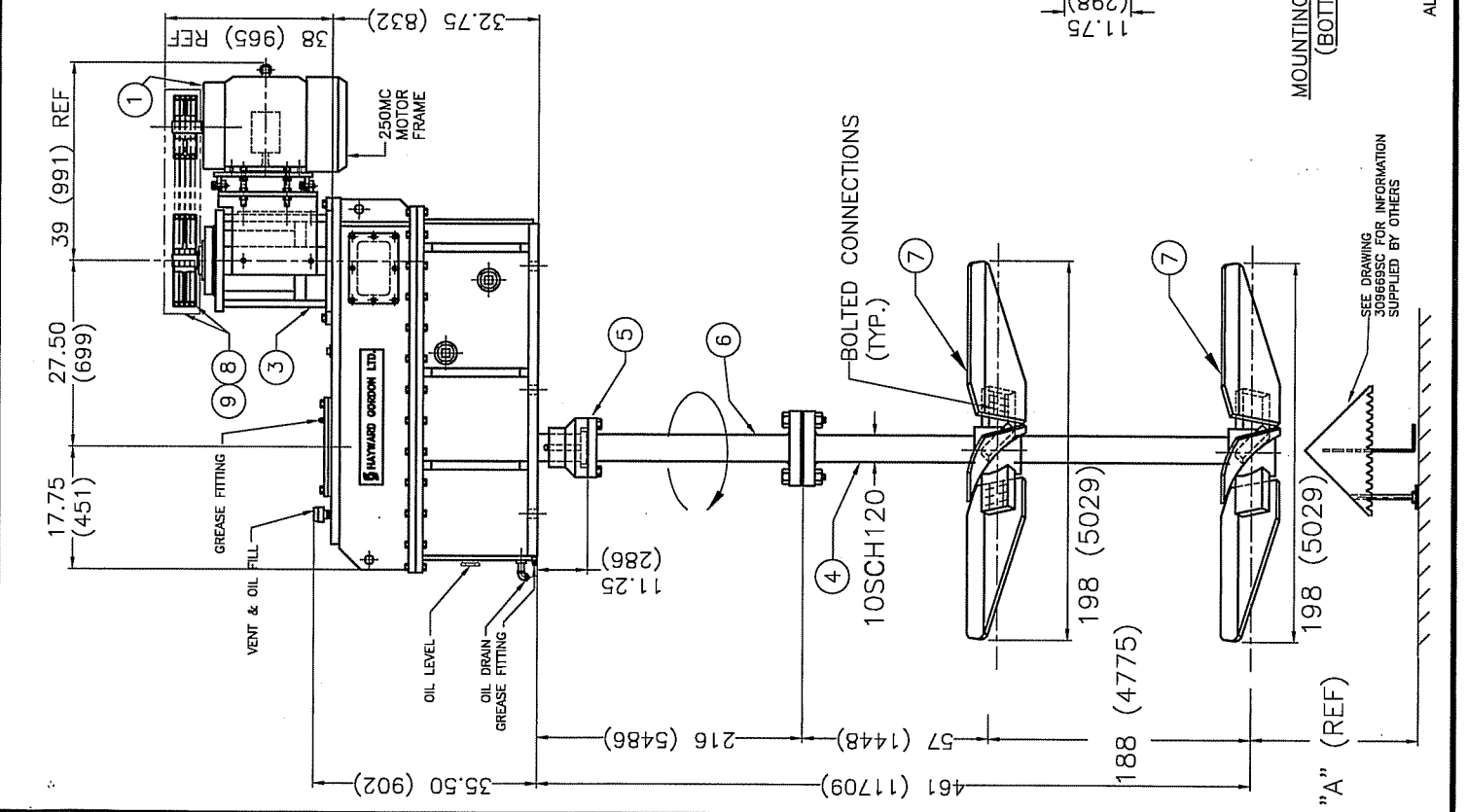
SCALE: CUST. P.O. NO. 017439F5160
 MODEL: LHX-11C
 DATE: AUG-10/07 H.G. JOB NO. 3096669
 DWG. NO. 3096669C
 DRN. JCC

IMPELLER AND COUPLING HARDWARE
 BOLTS-GR.5 ZINC PLATED
 NUTS-GR.5 ZINC PLATED
 WASHER-GR.2 ZINC PLATED



AS BUILT
 DATE 1-07-08 J. P. PASCAL
 SIGNED
 HAYWARD GORDON LTD.

MOUNTING DIMENSIONS
 (BOTTOM VIEW)



ALL DIMENSIONS ARE IN INCHES (SOFT METRIC)

B01-0002-05

ITEM	DESCRIPTION	QTY	MAT'L
1	MOTOR 100 HP (75KW), 1500 RPM	1	STD
2	GEAR REDUCER: LHX-11S, 36.4:1	1	STD
3			
4	AGITATOR SHAFT W/2 HUBS	1	R/C STL
5	RIGID COUPLING	1	STD
6			
7	TURBINE BLADES: AH	8	R/C STL
8			
9			

QTY: (2) UNITS REQD.
 TAG: 610-AG-001, 610-AG-002
 DETOXIFICATION TANK AGITATORS

* MOTOR IS TECO-WESTINGHOUSE, 380V/3/50
 250MC Frame
 ** R/C IS RUBBER COATED STEEL, 3/16" (5MM)
 THICK WITH DOUBLE THICKNESS ON IMPELLER
 BLADE LEADING EDGES.
 COVERING OVER BOLT HEADS BY OTHERS.

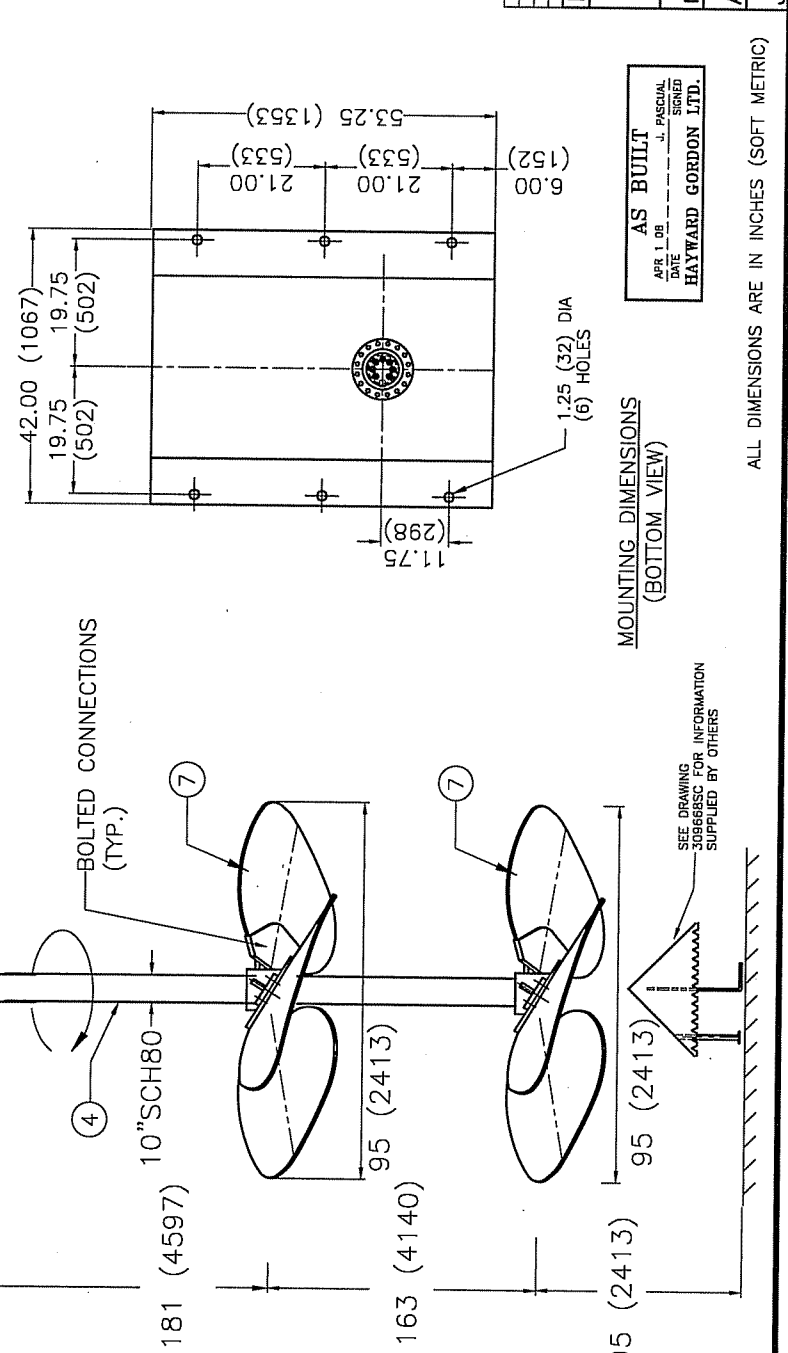
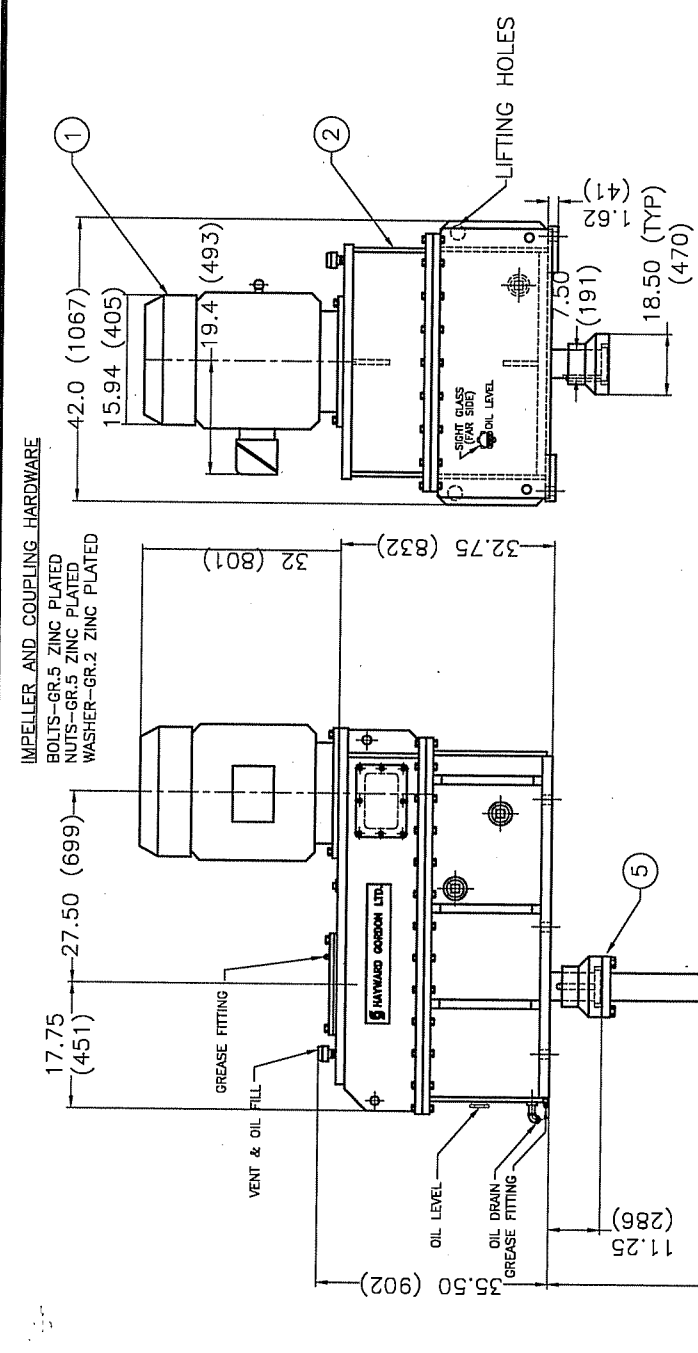
BAFFLE INFORMATION
 OVERALL HEIGHT: 392 (9957)
 WIDTH: 21 (540)
 OFF WALL CLEARANCE: 4 (91)
 OFF BOTTOM CLEARANCE: 7 (183)

THE MIXER SUPPORT STRUCTURE IS TO BE
 DESIGNED SO THAT THE DYNAMIC ANGULAR
 DEFLECTION OF DRIVE IS LIMITED TO
 .25 DEGREE IN ANY DIRECTION.

MIXER SUPPORT DESIGN LOADS:
 STATIC WEIGHT . . . 14712 LBS (6673 KG)
 DYNAMIC TORQUE . . . 340676 IN-LBS (3925 KGM)
 BENDING MOMENT . . . 899499 IN-LBS (10363 KGM)
 OPERATING SPEED . . . 37 (NOM) R.P.M.

4	APR 1 08	JJP	AS BUILT ADDED
3	FEB 7 08	JCC	IMPELLER AND COUPLING HARDWARE INFO
2	OCT 1 07	JCC	ADDED BAFFLE INFORMATION
1	SEPT 12 07	JCC	DIMENSIONS IN METRIC

9 HAYWARD GORDON LTD.		TORONTO	MONTREAL	CALGARY	VANCOUVER
SCALE	CUST. P.O. NO.	MODEL: LHX-11S			
DATE	H.G. JOB NO.	SNC LAVALIN			
AUG.10/07	309670	COPLER GOLD			
JCC	DRN.	DWG. NO. 309670G			



B01-0003-05

