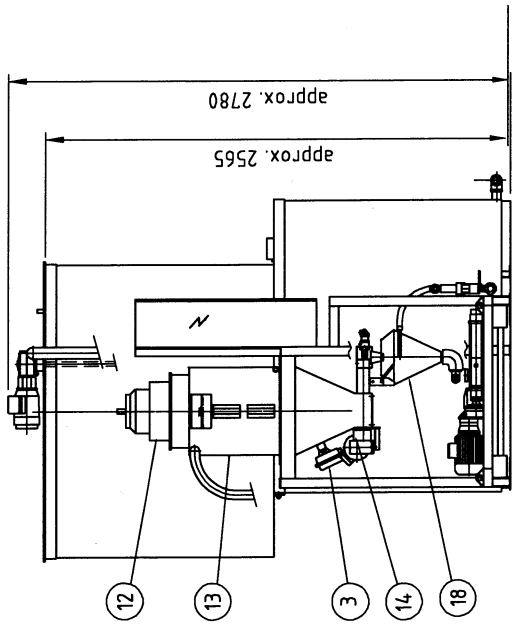
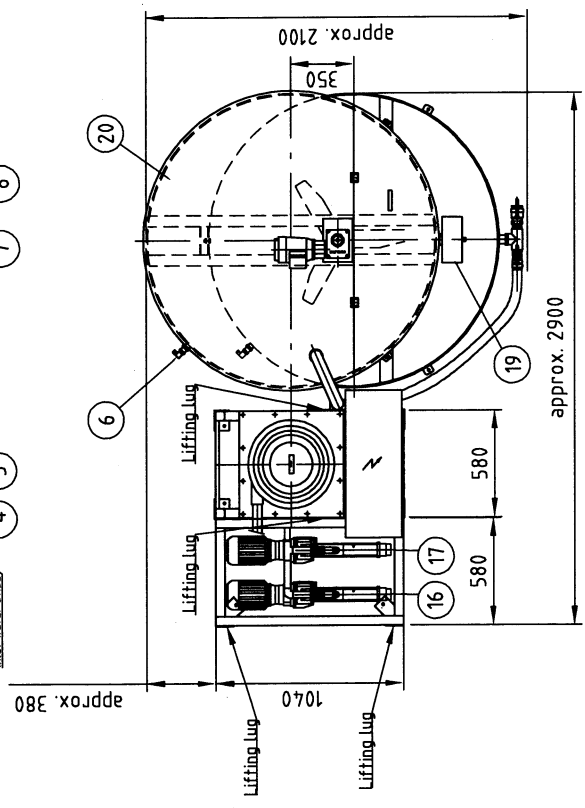
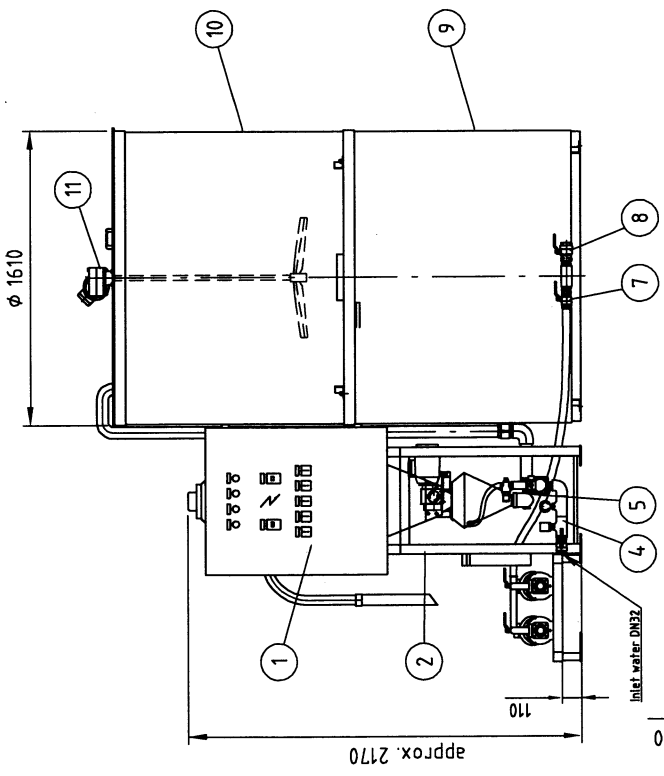
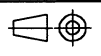


This drawing remains our property and may not be copied or passed on to a third party without our written permission. We reserve the right for changes at any time without previous notice.



Sub-assembly Dwg no.	Def No.	Qty	Constructed	TM	Drawn	TM	Copy	Denomination	Controlled	AO	Standard	Approved	Tag number	HO	Scale	Model or Dimension	Replaces	Remark
	20	1						Cover										PP
	19	1						Discharge valve					800-XV-8015					Stock solution
008958-D-54,027	18	1						Dissolver cone					800-XM-001					AISI 304
	17	1						Dosing pump 2					800-PM-002					Motor 0,75 kW
	16	1						Dosing pump 1					800-PM-001					Motor 0,75 kW
010992-B	14	1						Feeder					800-FE-001			182P		Motor 0,18 kW
	13	1						Powder hopper								100 L		
	12	1						Powder vacuum conveyor					800-BL-001					Motor 1,3 kW
010938	11	1						Agitator					800-AG-001					AISI 304, Motor 0,75 kW
	10	1						Preparation tank					800-TK-001			2.0 m3		AISI 304
	9	1						Stock tank					800-TK-002			2.0 m3		AISI 304
	8	1						Shut off valve								R 1 1/2"		Bottom drain
	7	1						Shut off valve								R 1 1/4"		Stock solution outlet
	6	2						Pressure transmitter										
	5	1						Water ejector					800-XM-005					
	4	1						Water control										
	3	1						Powder hopper level switch					800-LSL-8001					
	2	1						Support										
T3766	1	1						Control panel					800-PL-001					

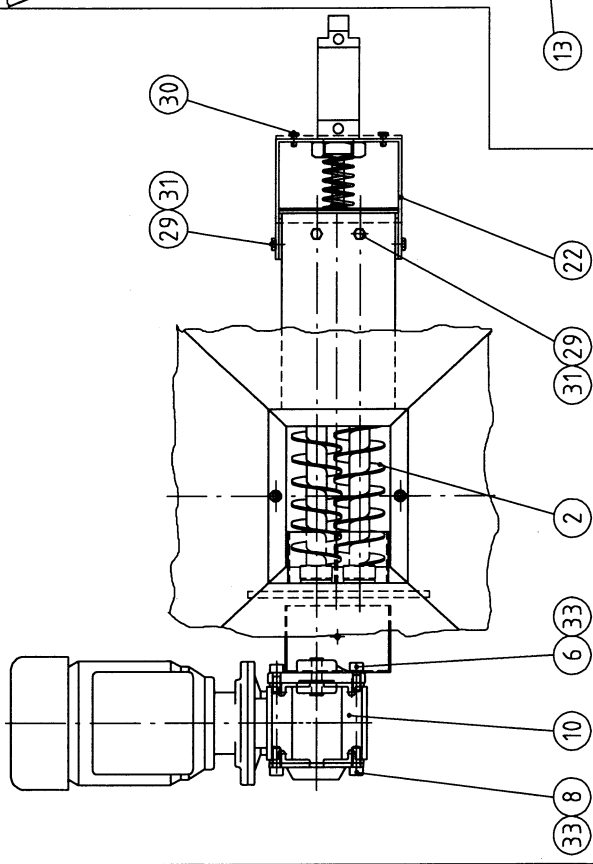
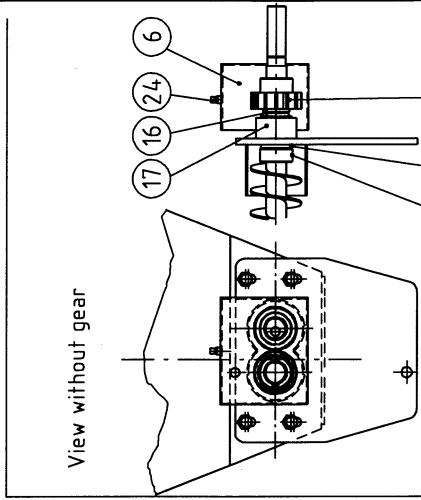
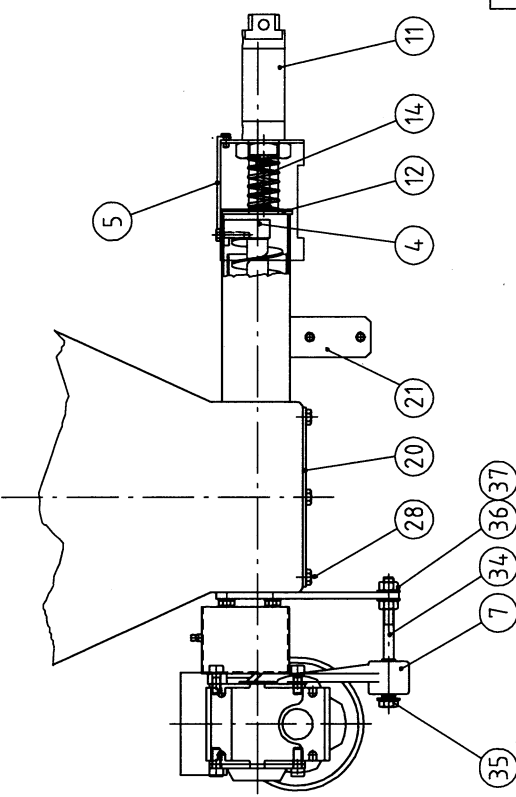
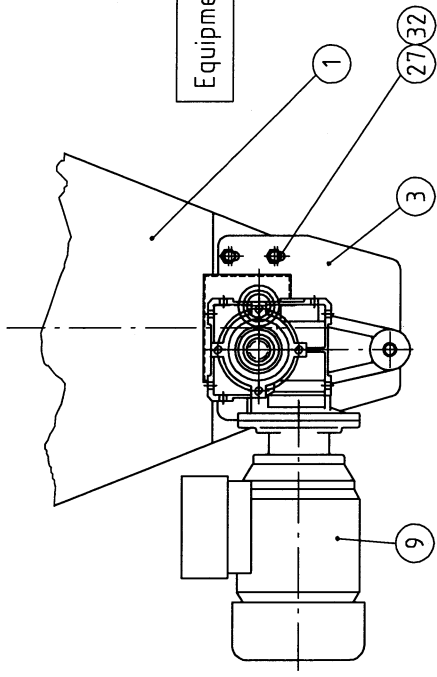
Package No: P-5200

**TOMAL®**  
**METERING SYSTEMS**  
 Cöpler Gold project  
 Polymer make-up unit PolyRex 4.0  
 General assembly drawing

No. Pcs	Modification	Date	Intr.	Appr.
---------	--------------	------	-------	-------

Replaces  
 007895-B  
 Date 23.03.99  
 Drawing No.  
 007895-B-54027-E

Equipment tag number: 800-FE-001



37	2	Washer	FBH 10.2x18.5x1.8
36	2	Nut	M6M 10
35	1	Washer	BRB 10.5x22x2
34	1	Screw	M6S 10x120
33	8	Screw	M6S 8x20
32	4	Washer	BRB 8.6x16x1.5
31	6	Washer	BRB 6.4x12x1.5
30	2	Screw	M6S 5x10
29	6	Screw	M6S 6x16
28	4	Screw	M6S 6x20
27	4	Screw	M6S 8x25
26	2	Key	PK 6x6x28 210 602
25	1	Key	PK 6x6x36
24	1	Lubricant nipple	Rak, M6 210 586
23	2	Stopscrew	SK6SS 6x6
22	1	Outlet module	008959
21	1	Bracket for dissolver cone	008573-C
20	1	Clean-out damper	006926-B
19	2	Stop ring	DIN 705-20 212 131
18	2	Nylon bearing	002952
17	2	Nylon bearing	002951-B
16	2	Washer	SRB 21x36x3
15	2	Cogwheel	m3 z=14, Ø20 212 758
14	1	Pressure spring	2.5x31x60x7.5 210 122
13	1	External retaining ring	SgA 18
12	1	Outlet-damper	017627
11	1	Cylinder	RT/5720/M/SL40 219258
10	1	Gearbox	See Motor & component list
9	1	Motor	0,18kW
8	1	Touch protection	See Motor & component list
7	1	Torque Arm	010925
6	1	Safety cover	008900-B
5	1	Cover for outlet module	011734
4	1	Outlet bearing unit	010924
3	1	Front plate	010924-A
2	2	Feeding screw	007887-C, 7918-C, 7924-C
1	1	Feeder box	007887-C, 7918-C, 7924-C

Contracted	JA	Down	JA	Copy	DB	Standard	DB	Material	Approved	Scale	1:5 - A3
Det.No.	Qty	Denomination	Material	Unit of	Dimension	Remarks	Reference of	010922-B	010922-B	010922-B	010922-B

**TOMAL**  
METERING SYSTEMS

Feeder 182P Di, gear Nord  
For wetting unit type DK 300  
General assembly drawing

B	1	pos. 11 & 12	070919	AS	AD
A	1	pos. 4	050905	CS	SF

No Pch.	Date	Intr.	Appr.

This drawing remains our property and may not be copied or passed on to a third party without our written permission.