

Pump specification

SUCT.FLANGE SIZE 1.5"	DRILLING ANSI 150#	FACING RF	FINISH SMOOTH
DISCH.FLANGE SIZE 1"	DRILLING ANSI 150#	FACING RF	FINISH SMOOTH
PUMP ROTATION (LOOKING AT PUMP FROM MOTOR)		CW	
TYPE OF LUBRICATION	N/A	COOLED	NO
TYPE OF STUFFING BOX	N/A	COOLED	NO
TYPE OF SEALING	SEALLESS PUMP		

Weights and Measurements

PUMP	18 kg
MOTOR	29 kg
BASEPLATE	56 kg
TOTAL	103 kg
GR.VOLUME w/BOX	0.215 m ³
GR.WEIGHT w/BOX	121 kg

Motor specification

MOTOR BY PUMP MFG	MOUNT BY PUMP MFG	MFG. WEG
FRAME 90L24	POWER 2.20 kW	RPM 3000
PHASE 3	FREQUENCY 50 HZ	VOLTS 380
INSULATION F	S.F. 1.00	
ENCLOSURE	TEFC PREMIUM EFFICIENCY	

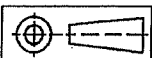
Notes and References

- MTR DIMENSIONS ARE APPROXIMATE
- INSTALL FOUNDATION BOLTS IN PIPE SLEEVES
- ALLOW FROM 19 to 38mm FOR GROUTING. SEE INSTRUCTION BOOK FOR DETAILS.
- * Tolerance is +3 mm

Auxiliary specification

COUPLING BY	CPLG TYPE
CPL GUARD BY	CPLG GUARD MATL
BASEPLATE	CHEMBASEPLUS BLUE ZANITE C06903A

FOR PUMP TAPPED OPENINGS REFER TO DWG.: A740812T



All dimensions are in mm.
Drawing is not to scale
Weights (kg) are approximate

DIMENSIONS ARE CERTIFIED FOR CONSTRUCTION BY:

Diana Wenz

DATE February 4, 2008

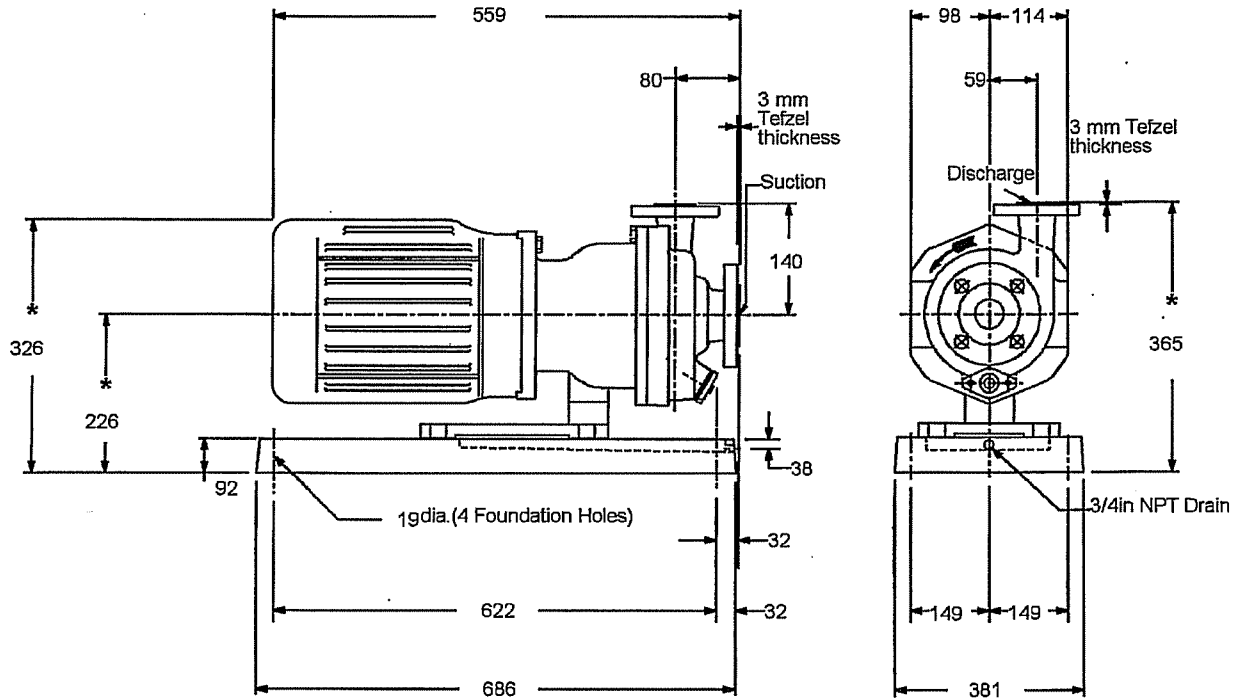
Goulds Ser#E740F812-1-2
Cust: CUKURDERE MADENCILIK
PO# 017439-P-5143
Pump Item#800-PR-014/015
Serv: Copper Sulfate Distribution Pumps
Client: Anatolia Minerals Development LTD.
Project: Copler Gold

Copyright 2008
ITT Corp

DRAWING NO A7408120 Rev. 0 Date:February 4, 2008

SUPERSEDES ANY PREVIOUS DRAWINGS

FORM #



Pump specification

SUCT.FLANGE SIZE 1.5"	DRILLING ANSI 150#	FACING RF	FINISH SMOOTH
DISCH.FLANGE SIZE 1"	DRILLING ANSI 150#	FACING RF	FINISH SMOOTH
PUMP ROTATION (LOOKING AT PUMP FROM MOTOR)		CW	
TYPE OF LUBRICATION		N/A	
TYPE OF STUFFING BOX		N/A	
TYPE OF SEALING		SEALLESS PUMP	

Weights and Measurements

PUMP	18 kg
MOTOR	29 kg
BASEPLATE	56 kg
TOTAL	103 kg
GR.VOLUME w/BOX	0.215 m ³
GR.WEIGHT w/BOX	121 kg

Motor specification

MOTOR BY PUMP MFG	MOUNT BY PUMP MFG	MFG. WEG
FRAME 90L24	POWER 2.20 kW	RPM 3000
PHASE 3	FREQUENCY 50 HZ	VOLTS 380
INSULATION F	S.F. 1.00	
ENCLOSURE TEFC PREMIUM EFFICIENCY		

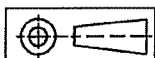
Notes and References

- MTR DIMENSIONS ARE APPROXIMATE
- INSTALL FOUNDATION BOLTS IN PIPE SLEEVES
- ALLOW FROM 19 to 38mm FOR GROUTING. SEE INSTRUCTION BOOK FOR DETAILS.
- * Tolerance is +3 mm

FOR PUMP TAPPED OPENINGS REFER TO DWG.: A740811T

Auxiliary specification

COUPLING BY	CPLG TYPE
CPL GUARD BY	CPLG GUARD MATL
BASEPLATE CHEMBASEPLUS BLUE ZANITE C06903A	



All dimensions are in mm.
Drawing is not to scale
Weights (kg) are approximate

DIMENSIONS ARE CERTIFIED FOR CONSTRUCTION BY:
Diana Wenz DATE February 4, 2008

Goolds Ser#E740F811-1-2
Cust: CUKURDERE MADENCILIK
PO# 017439-P-5143
Pump Item#800-PR-012/013
Service:Sodium Metabisulfite Distribution Pump
Client: Anatolia Minerals Development LTD.
Project: Coper Gold

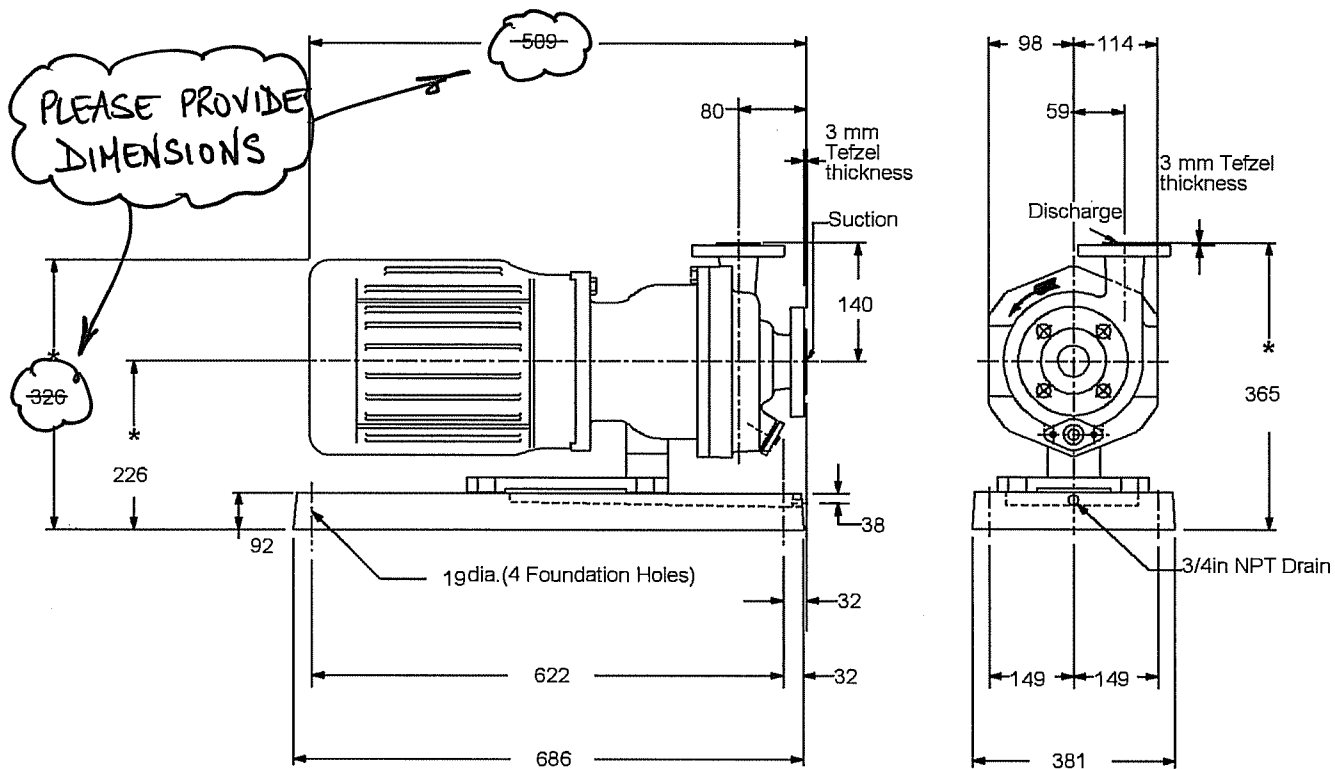
II VE TICARET

Copyright 2008
ITT Corp

DRAWING NO A7408110 **Rev. 0** Date:February 4, 2008

SUPERSEDES ANY PREVIOUS DRAWINGS

FORM #



Pump specification

SUCT.FLANGE SIZE 1.5"	DRILLING ANSI 150#	FACING RF	FINISH SMOOTH
DISCH.FLANGE SIZE 1"	DRILLING ANSI 150#	FACING RF	FINISH SMOOTH
PUMP ROTATION (LOOKING AT PUMP FROM MOTOR)	CW		
TYPE OF LUBRICATION	N/A	COOLED	NO
TYPE OF STUFFING BOX	N/A	COOLED	NO
TYPE OF SEALING	SEALLESS PUMP		

Weights and Measurements

PUMP	18 kg
MOTOR	48 kg
BASEPLATE	56 kg
TOTAL	122 kg
GR.VOLUME w/BOX	0.215 m ³
GR.WEIGHT w/BOX	139 kg

Motor specification

WEG

MOTOR BY PUMP MFG	MOUNT BY PUMP MFG	MFG.	PUMP MFG'S CHOICE	
FRAME 090L24	POWER 2.2 kW	RPM.	3000.	
PHASE 3	FREQUENCY 50 HZ	VOLTS	380	
INSULATION F	S.F.	1.00		
ENCLOSURE	TOTALLY ENCLOSED-IP55			

Notes and References

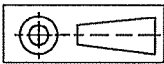
- MTR DIMENSIONS ARE APPROXIMATE
 - INSTALL FOUNDATION BOLTS IN PIPE SLEEVES
 - ALLOW FROM 19 to 38mm FOR GROUTING. SEE INSTRUCTION BOOK FOR DETAILS.
 - * Tolerance is +3 mm
- FOR PUMP TAPPED OPENINGS REFER TO DWG.:
TEU07067NB / 800-PR-008/009

Auxiliary specification

COUPLING BY	N/A	CPLG TYPE	N/A
CPL GUARD BY	N/A	CPLG GUARD MATL	N/A
BASEPLATE	CHEM-BASE PLUS BLUE ZANITE C06903A		

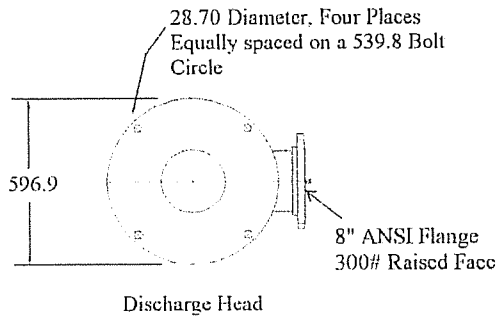
DIMENSIONS ARE CERTIFIED FOR CONSTRUCTION BY:
Nicolas Billiau DATE December 19, 2007

Customer: Cukurdere Madencilik Sanayii ve Ticaret
Serial No:
Customer P.O. No: 017439-P-5143
Item No: 800-PR-008/009 (Base Offer)
Project No: Coper Gold Project
End User: Cukurdere Madencilik Sanayii ve Ticaret Limited 2007
Service: Ferric Sulfate Distribution Pumps
ITT Corp



All dimensions are in mm.
Drawing is not to scale
Weights (kg) are approximate

DRAWING NO EU07067NB/ 800-PR-008/009



Discharge Head

SNC-Lavalin Inc.
 Purchase Order No. 017439-P-5145
 Item No. 950-PT-001/002
 Model: DWT-FFTM
 Quantity: 2
 Serial number: 548009-1/-2
 Date: August 25, 2008

Performance

Service	Well Water Pumps
Liquid	Well Water
Capacity	180 m ³ /hr
Rated Head	252 meters
Temperature	15 Deg Celsius
Sp. Gr/Visc	1.0/1.104 cP
Disch. Pres	2467.7 kPa (at bowl)

Electric Motor	Vertical Solid Shaft
Manufacturer	WEG
Enclosure	TEFC
Power	180 kW 3/50/6600 Volt @ 3000 RPM
Frame	315

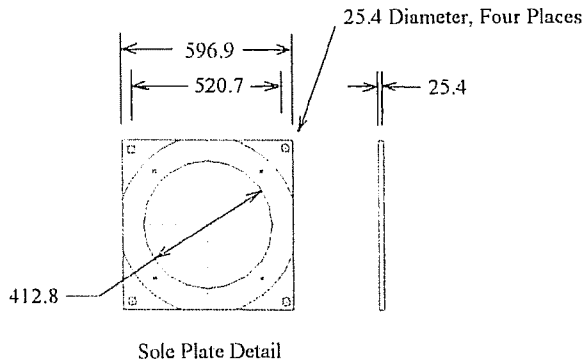
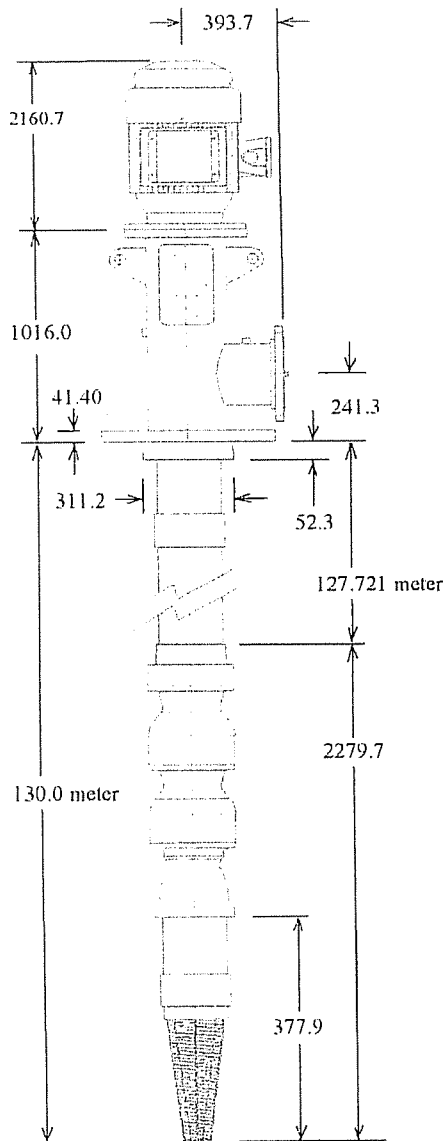
Discharge Head	Fabricated Steel, 8"
----------------	----------------------

Sealing Method	Packing (with Enclosing tube)
----------------	-------------------------------

Coupling	Type A- Adjustable
----------	--------------------

Columnn	8"-Threaded, 3.3 Ft sections
---------	------------------------------

Bowl	7 Stages
Size	9RCHC



Sole Plate Detail

All dimensions in mm, except where noted.

Certified by:

