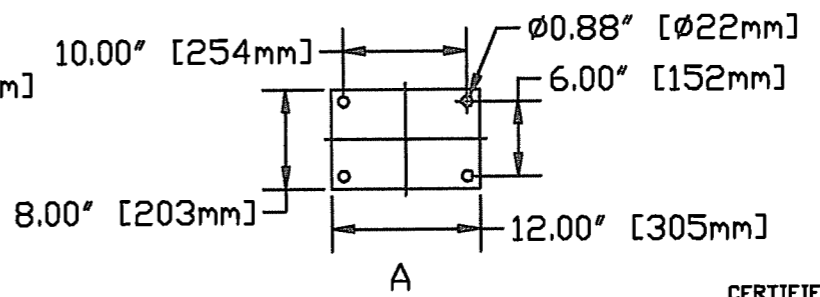
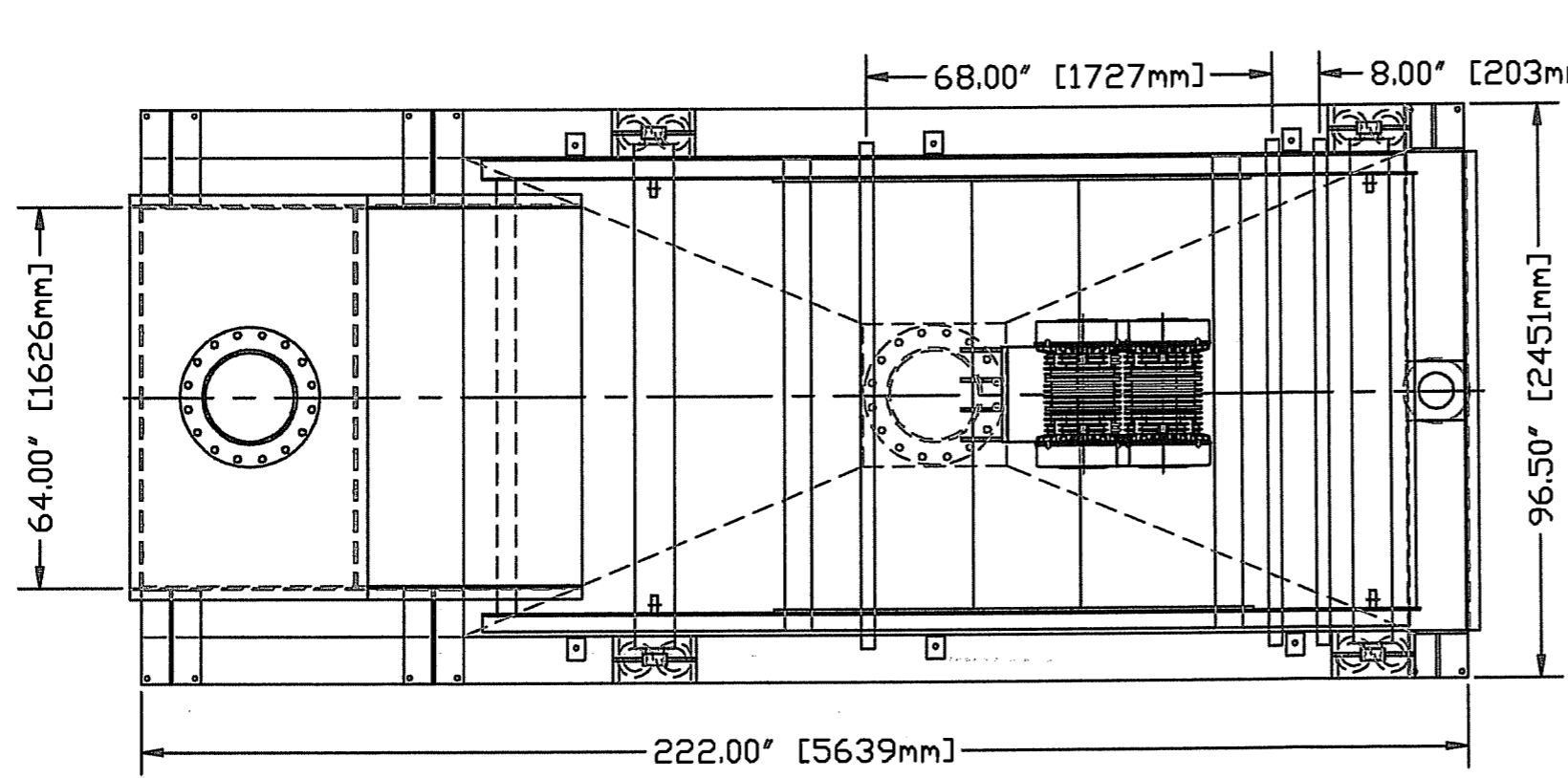


VERTICAL LOAD: 1252 KG      VERTICAL LOAD: 1620 KG PER LEG      VERTICAL LOAD: 1620 KG  
 HORIZONTAL LOAD: 102 KG      HORIZONTAL LOAD: 102 KG PER LEG      HORIZONTAL LOAD: 102 KG



CERTIFIED DRAWING  
 GUKURDERE MADENCILIK SANAYII  
 COPLER GOLD PROJECT  
 PD NO. 017439-P-5061  
 TRASH SCREEN  
 EQUIPMENT NO. 300-SC-001

**HORIZONTAL DECK SCREEN**  
**MODEL HDS 612-4**  
 DWG NO. HDS61201TRP-4-03      SR2844  
 DSN & DRW BY M. TSUTSUMI 07/06/07

SCREEN MEDIA	POLYURETHANE 0.8X17 MM
VIBRATOR MOTOR	(2) KEE 75-4 (5 HP)
POWER SUPPLY	380 V x 3 PH x 50 HZ
POWER INPUT	TOTAL 15.0 AMP AT 380 V
STROKE X FREQUENCY	3.8 MM x 1500 CPM
VIBRATING MOTION	45°UPFRONT LINEAR STROKE
DYNAMIC LOAD	868 KG (1915 LBS)
TOTAL WEIGHT	5245 KG (11563 LBS)


**SIZETEC, INC.**  
 SIZING TECHNOLOGY & EQUIPMENT